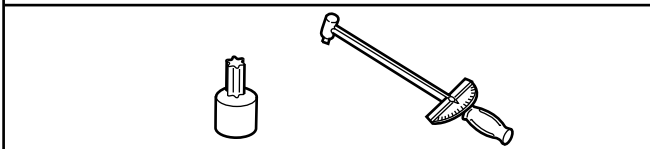
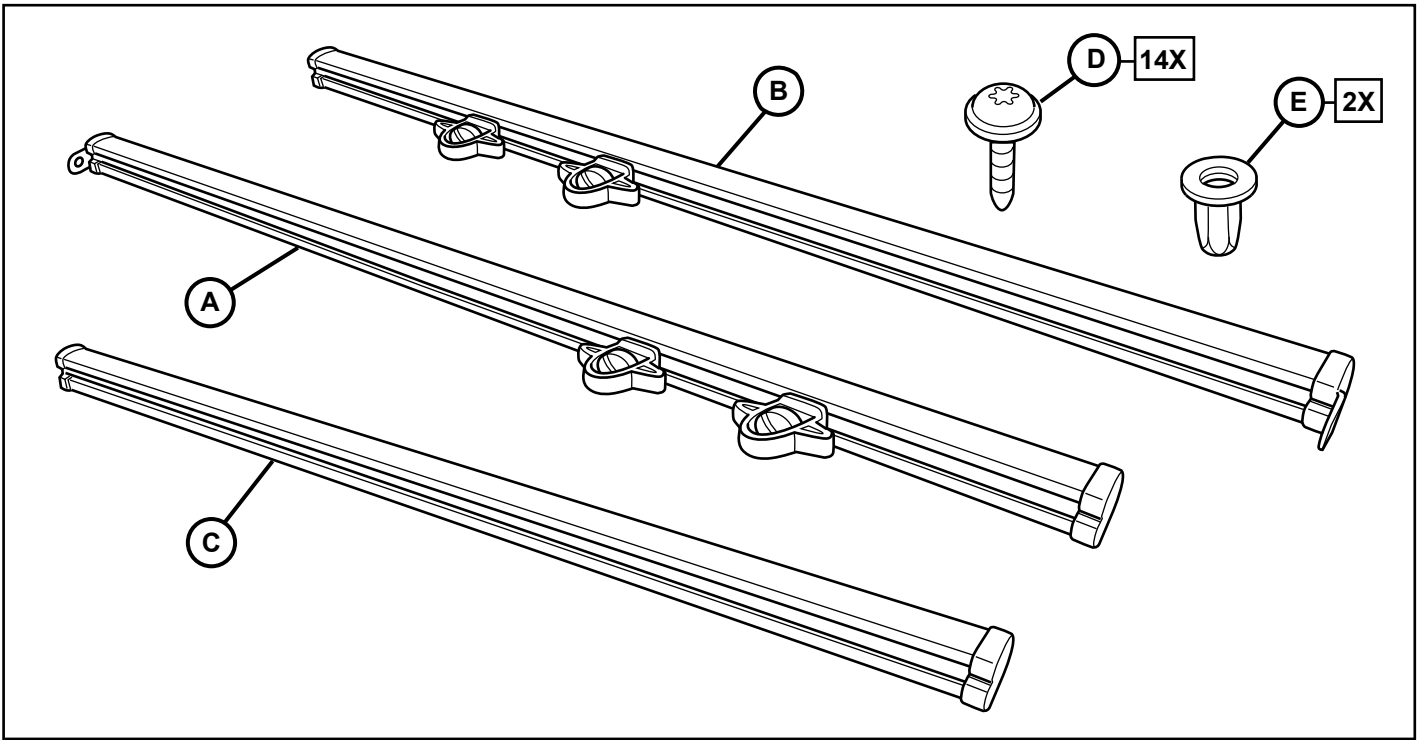


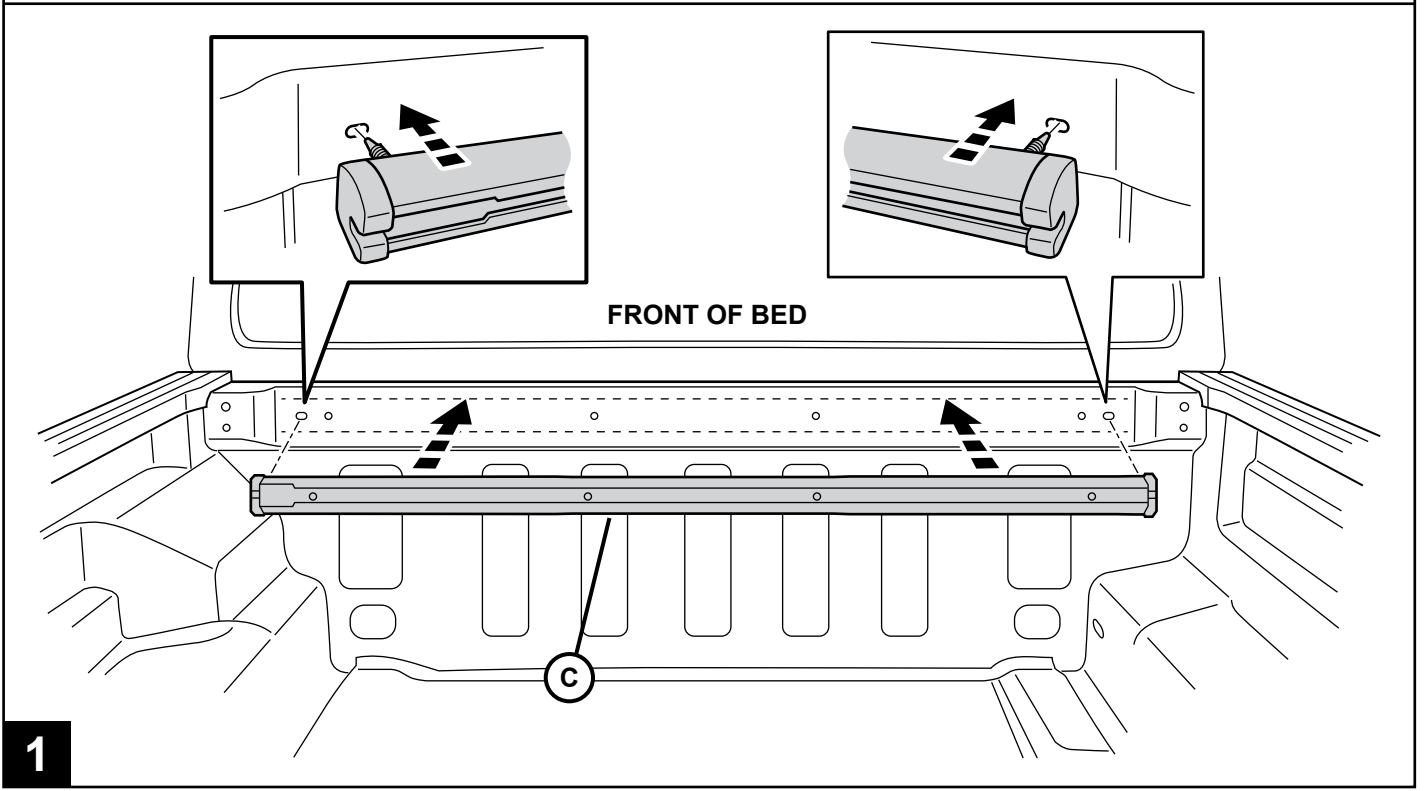


TIE DOWN RAILS JEEP GLADIATOR

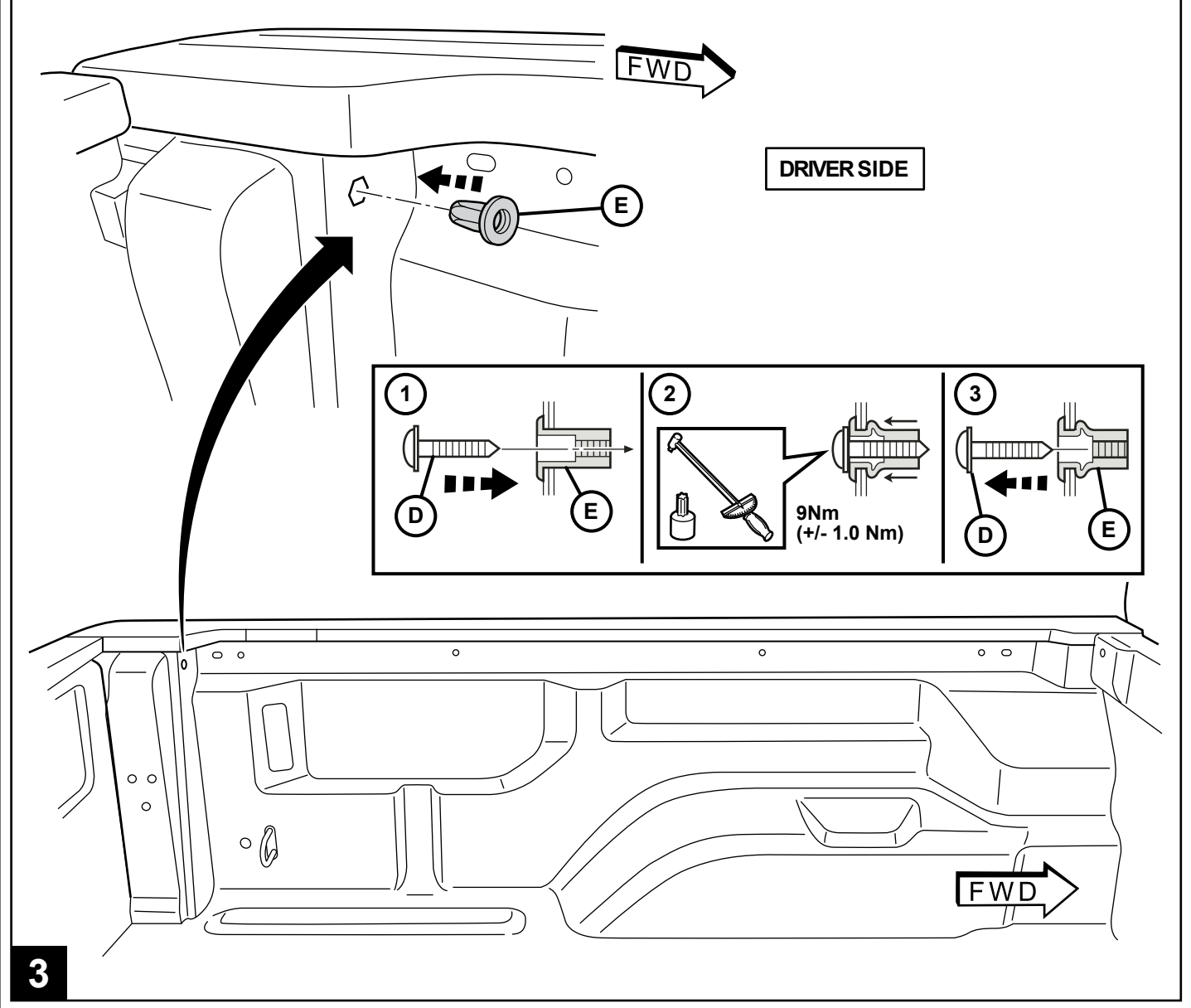
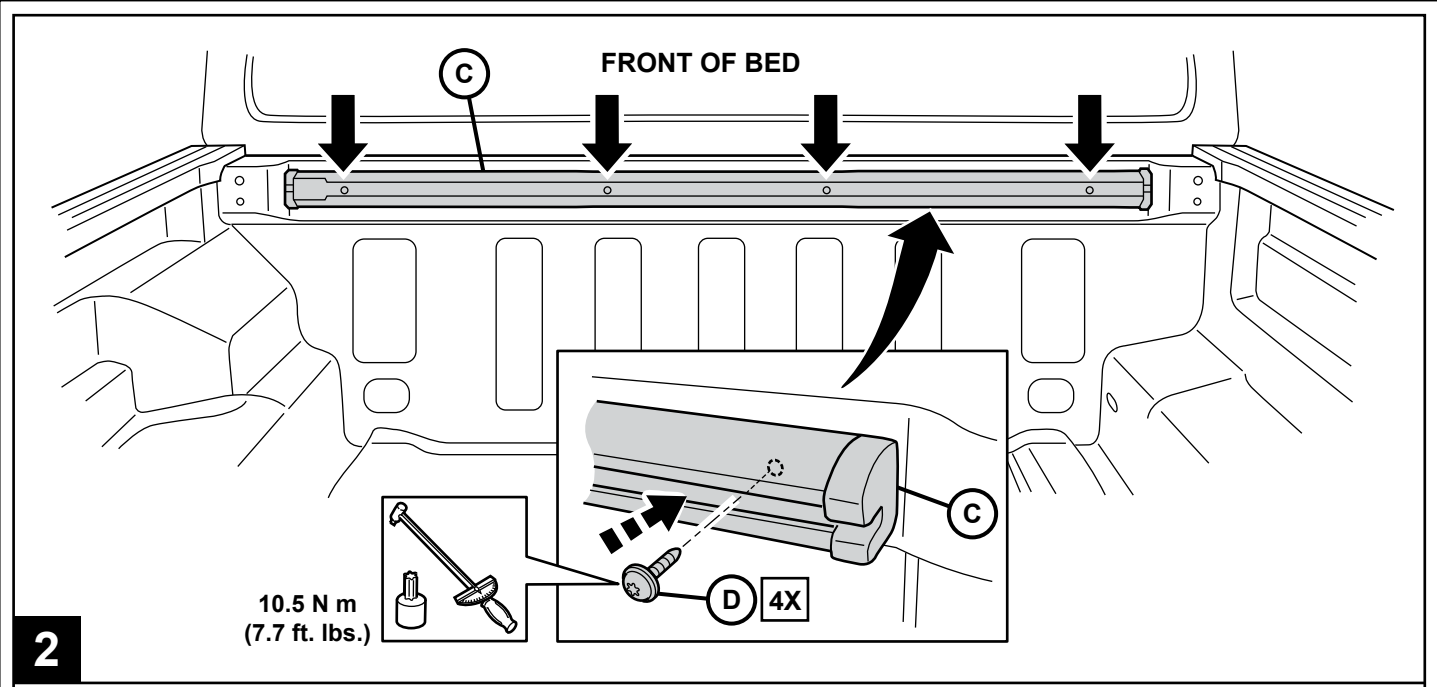
www.mopar.com

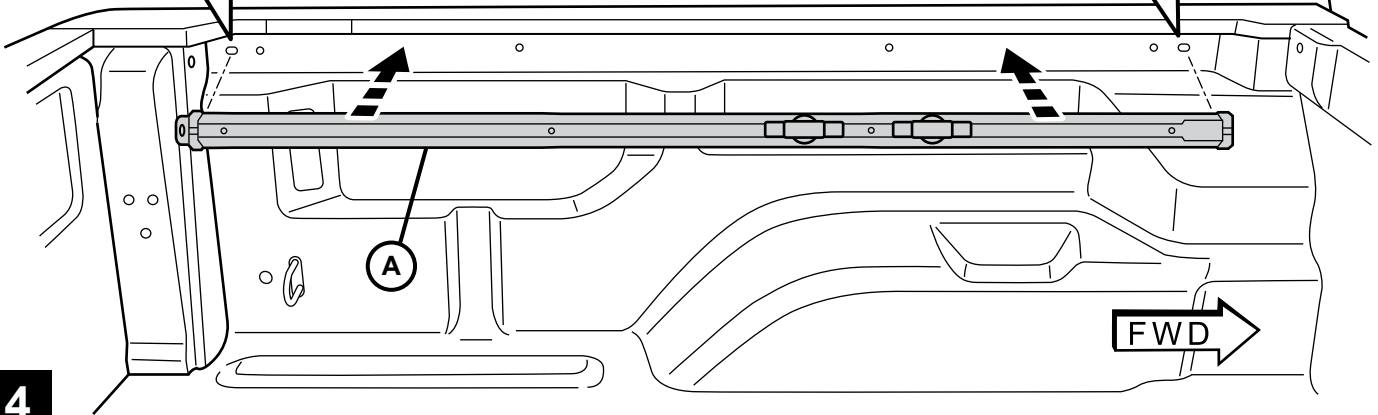
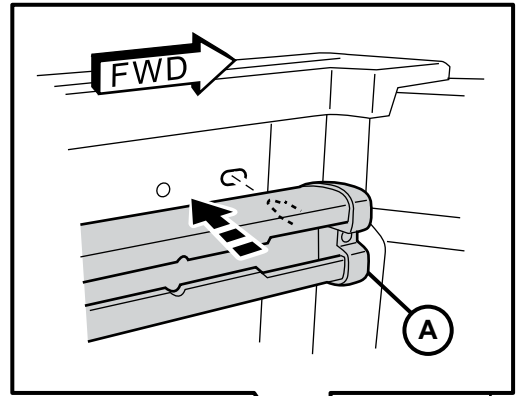
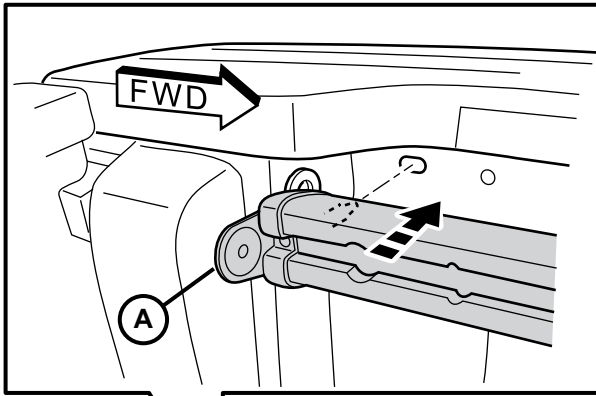


**NOTE: CLEAR OPENINGS AND THREADS OF ANY
BED LINER RESIDUE IF NECESSARY**

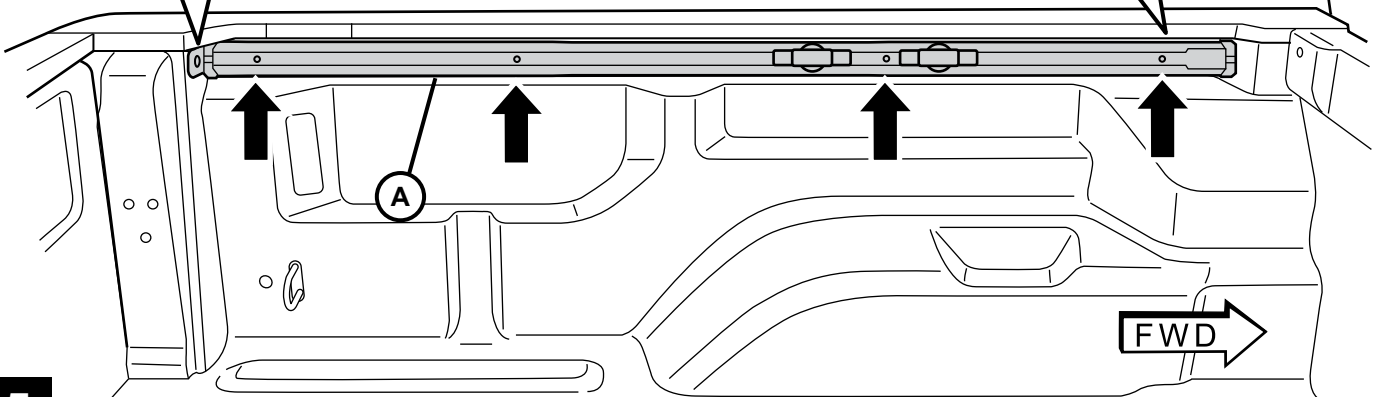
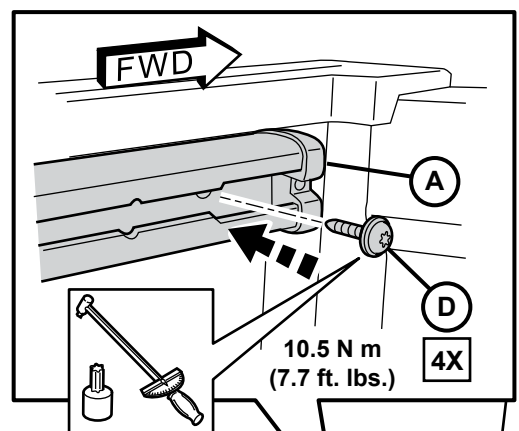
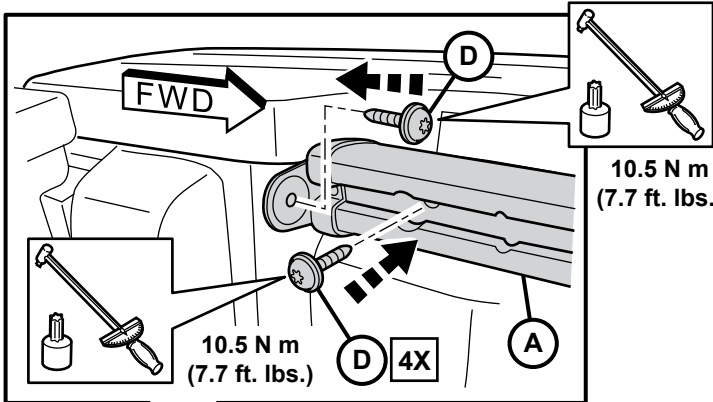


1

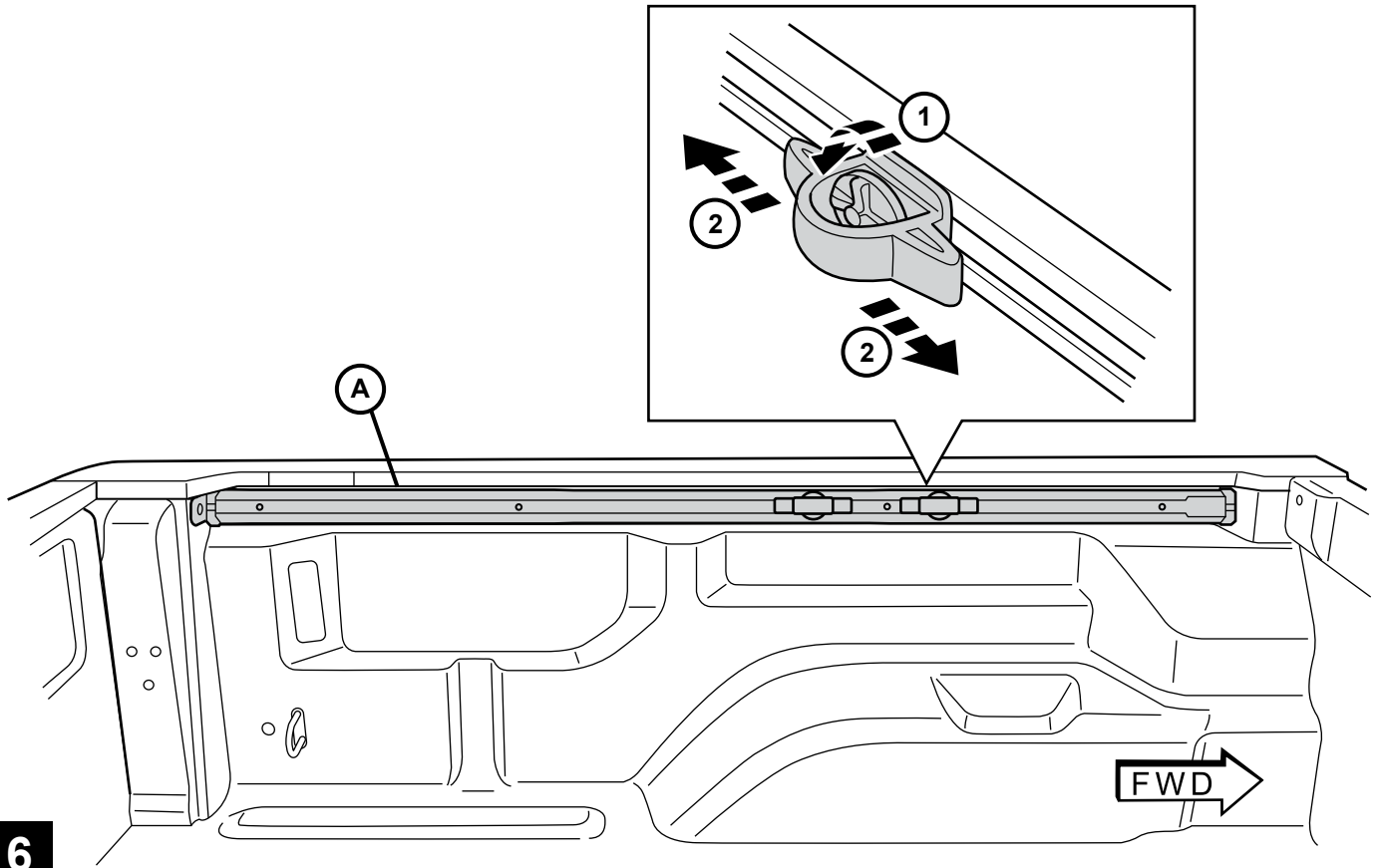




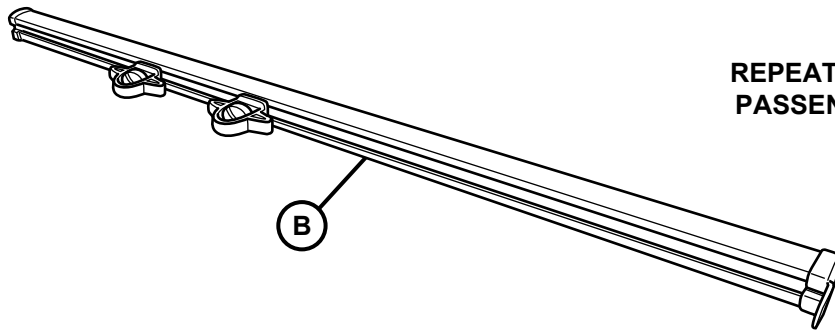
4



5



6



REPEAT STEPS 3 THROUGH 5 ON
PASSENGER SIDE WITH RAIL (B)

7